



Connector Solutions

Harnessing and Electro-Mechanical Solutions for Demanding Environment Applications



Added value **CONNECTORS, BACKSHELLS and DUST CAPS**

Fast Factory

Fast Response and Turnaround Supply

OUR ADVANTAGES

- High product, market and logistic knowledge
- MIL-DTL-38999 Authorisation
- QPL approval
- EN9120 & EN9100 certification
- **Low MOQ's**
- **Competitive pricing**
- **Short lead times**
- **Fast response**

Key Product Series

MIL-DTL-38999 Series III • EN 3645

MIL-DTL-26482 Series II

MIL-DTL-83723 Series I and III

Working closely with manufacturers worldwide we offer a broad range of connectors and associated products for the Defence, Aerospace, Marine and Industrial markets. Plus our breadth of experience and knowledge enables us to provide you with advice and support on the optimum product for your application.

Through our supply partners we are able to offer a 'Fast Factory' quick response and turnaround supply service to our customers, for key connector styles as above.

Product ranges built in the 'Fast Factory' are offered on a 2 to 3 weeks lead-time for quantities of up to 200 pieces and when required 'Fast Factory' is able to offer 48-hour production for small batches.

In addition to this, there is a low MOQ for these items with the aim of offering maximum flexibility, to help our customers supply logistics and order consolidation.

'Fast Factory' is a value added service provider for IS-Rayfast on Deutsch products to serve both the European and EMEA markets. This hub and facility are capable of delivering and assembling on demand products quickly and efficiently.



Official Distributors for



Connectors

MIL-DTL-**** Range



- MIL-DTL-38999 Series III and EN3645



- MIL-DTL-26482 Series II



- MIL-DTL-83723 Series I & III

Key 'Fast Factory' products include...
 MIL-DTL-38999 Series III • EN 3645
 MIL-DTL-26482 Series II
 MIL-DTL-83723 Series I and III

Drawing from our supplier portfolio we have access to a strong inventory of different part numbers of connectors that are maintained on stock. Product ranges built in the 'Fast Factory' are offering, assembling on demand products.

A broad range of alternative designs and brands are also available...

...Including MIL-DTL-38999 Micro Derivatives

Because of the widespread popularity of the 38999 Series III connectors, manufacturers have used this form for numerous designs to meet a variety of high density, smaller configurations beyond those of MIL-DTL-38999. Offering a familiar, reliable connector and access to a full range of backshells and other accessories.

D38999 Series III

Same number of contacts in a smaller connector!

33% Smaller Diameter

50% Shorter Length

3 TIMES Lighter

D38999 Micro

Shell Materials	Nickel Aluminium Bronze	Stainless Steel	Composite
Salt Spray	2,000 hours	2,000 hours	2,000 hours

Feature	Plating Finish				
	Cadmium	Electroless Nickel	Black Zinc Nickel	Black Zinc Cobalt	Green Zinc Cobalt
Colour	Olive Drab	Shiny Silver	Black (non-reflective)	Black (non-reflective)	Dark Green
Shell Continuity	2.5 mΩ	1.0 mΩ	2.5 mΩ	2.5 mΩ	2.5 mΩ
Durability	500 cycles	500 cycles	500 cycles	500 cycles	500 cycles
Temp Range	-65°C to +175°C max	-65°C to +200°C max	-65°C to +175°C max	-55°C to +125°C max	-55°C to +125°C max
EMI Shielding	>90dB @ 100 MHz	>90dB @ 100 MHz	>90dB @ 100 MHz	>80dB @ 100 MHz	>80dB @ 100 MHz
Shell Conductivity	2.5mV max	1.0mV max	2.5mV max	5.0mV max	5.0mV max
Salt Spray	500 hours	48 hours	500 hours	48 hours	96 hours
RoHS Compliant	No	Yes	Yes	Yes	No

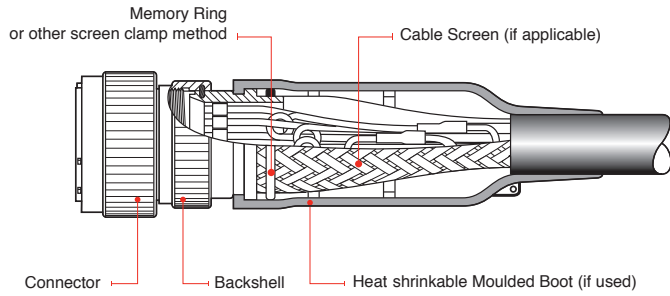


Additional common connector standards that we can supply against include the following illustrated examples



Screened Backshells

Memory Ring and Roll Spring versions



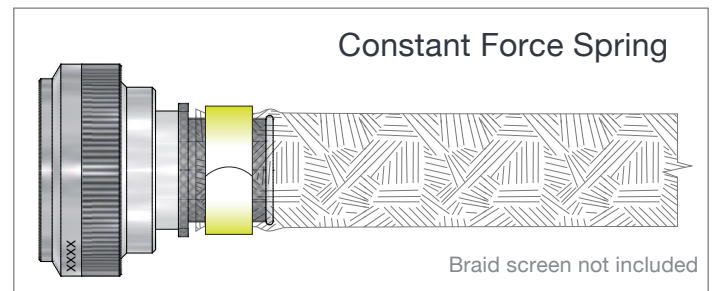
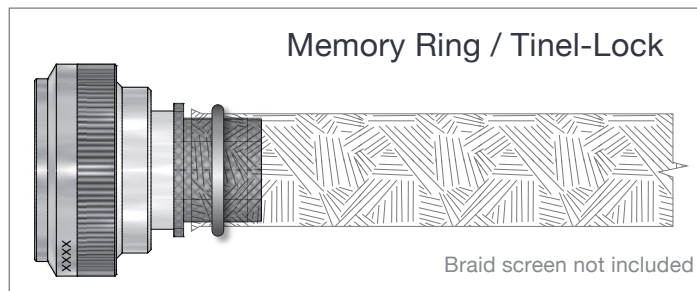
Wide Selection of STOCKED Sizes and Material Finishes Available to Ship Same Day.

For all your wire and cable screen connection requirements, we have the solutions through our partners, offering an extensive range of circular connector backshells, available in various materials and plating specifications.

Backshells, or connector adaptors if you prefer, offer high performance sealing and strain relief in demanding applications. We offer a wide range for applications in many industries including Aerospace, Defence, Marine and Mass Transit.

These backshells are available in many configurations and platings to match applications, are easy to install and offer high reliability.

Alternative screened backshells are also available, including Braided Tail, Band Clamp, Individual 360° Screen (HexaShield) and Boot Assembly (KTKK). Together with non-screened solid with spin-coupling, plus variable angle SpinLock.



The Tinel-Lock® ring is made from a special shape memory metal that shrinks uniformly when heated and terminates copper braid directly onto the rear of a backshell.

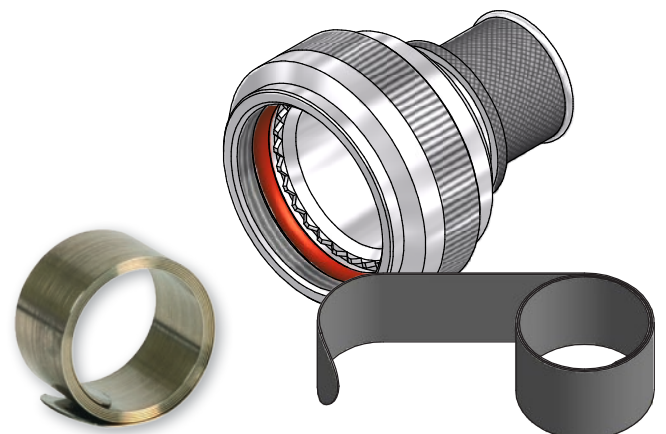
- Withstands severe shock, vibration and temperature cycling
- Low profile, buckle free termination.
- One piece construction
- Operating Range, -65°C to 200°C

Please contact us for details.

Constant Force Spring adaptors feature a fatigue and corrosion resistant steel band to terminate the cable screen. The resulting 360° termination creates an effective electrical connection, providing screen continuity between braid and adaptor.

The terminated cable can then be protected and sealed using a heat-shrinkable moulded part, providing strain relief to the cable.

Please contact us for details.



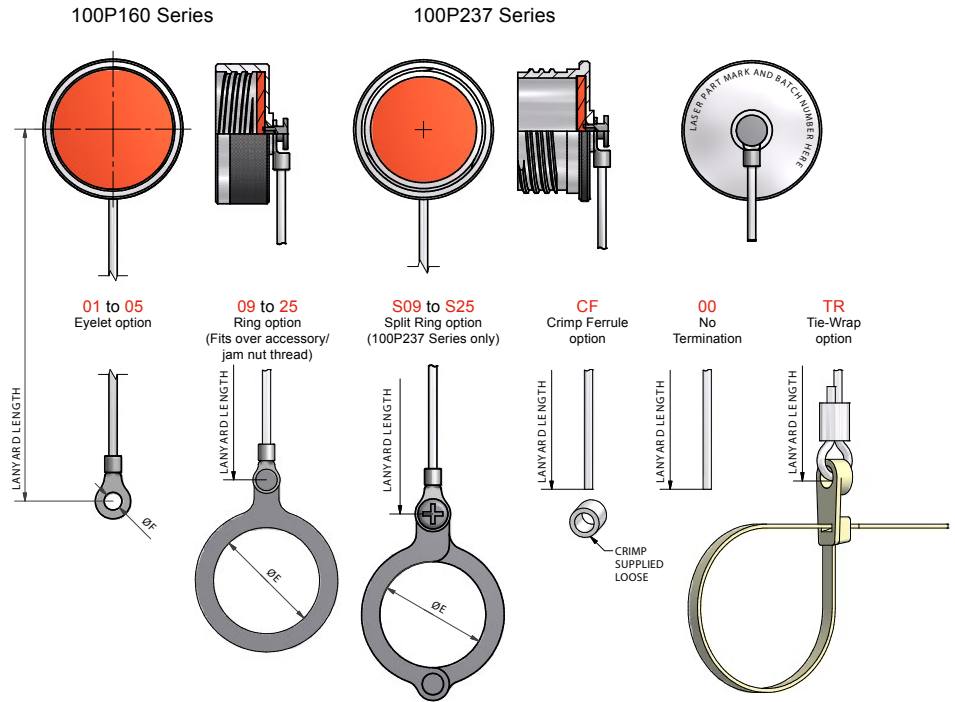
Dust caps

Protective Covers

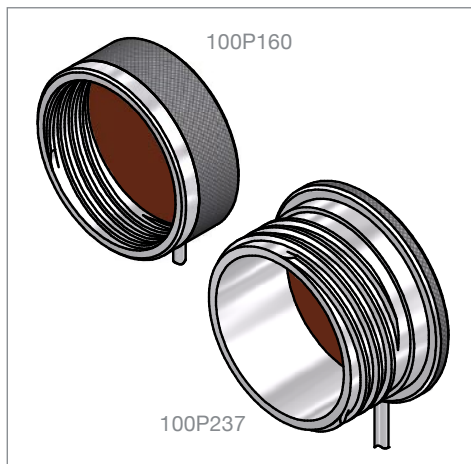
As part of our commitment to offering complete harnessing component solutions we can also supply a vast range of accessories such as those illustrated here. Components are sourced from leading edge companies with industry approvals.

- Many parts machined from solid material for reliable strength and performance.
- Compatible with Mil-Spec dimensions and performance.
- Wide choice of lanyard options available.
- Gasket material options available.
- Arctic grip and anti-tamper options also available.

Please contact us for more information.



Selection of MIL-DTL-38999 Series III versions available from STOCK

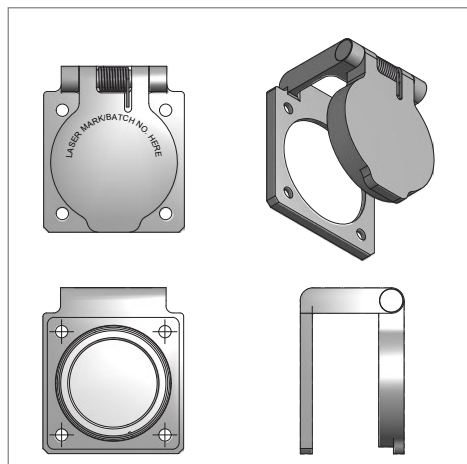


38999 Series III Dust Caps

Plug and receptacle protection caps for MIL-DTL-38999 Series III connectors which represents our most popular dust caps.

- 100P160** Series - Receptacle protection cap
- 100P237** Series - Plug protection cap

This represents a small proportion of what is available in the complete range, for these variants please contact us for details.

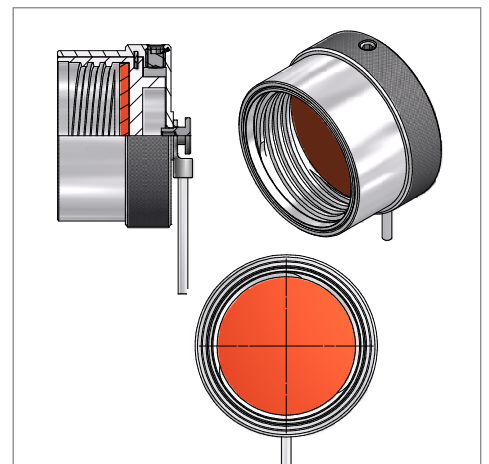


Self Closing Dust Caps

Ensures the protective cap is not removed or lost from equipment, with strong machined construction.

38999 Series III derived square flange receptacle. Other shell sizes and connector series available.

MIL-DTL-38999 Series III - **PC4SCC** Series



Anti Tamper Dust Caps

Used on data ports of equipment containing sensitive and confidential data. The design allows the outer shell of the cap to spin without uncoupling until it is locked in position with a small key, allowing it to be removed.

MIL-DTL-38999 Series III - **PRC433TL** series

Other shell sizes and connector series available.

All information provided is believed to be reliable. We advise however that customers should separately evaluate the suitability of our products for their particular application. IS-Rayfast give no guarantee in respect of the accuracy or sufficiency of the information presented and disclaim any liability regarding its use. Our responsibilities are only those listed in our Standard Terms and Conditions of Sale for these products. In no instance will we be liable for any eventual, indirect, or consequential damage or damages from the sale, resale, transfer, use or misuse of the product.

Some of the images and illustrations used in this publication are used with the permission and/or under open licence agreement, attributed to our supplier partners.

T: +44 (0)1793 616700 • E: sales@is-rayfast.com

www.is-rayfast.com

2 Lydiard Fields, Great Western Way, Swindon, Wiltshire, SN5 8UB, UK.

